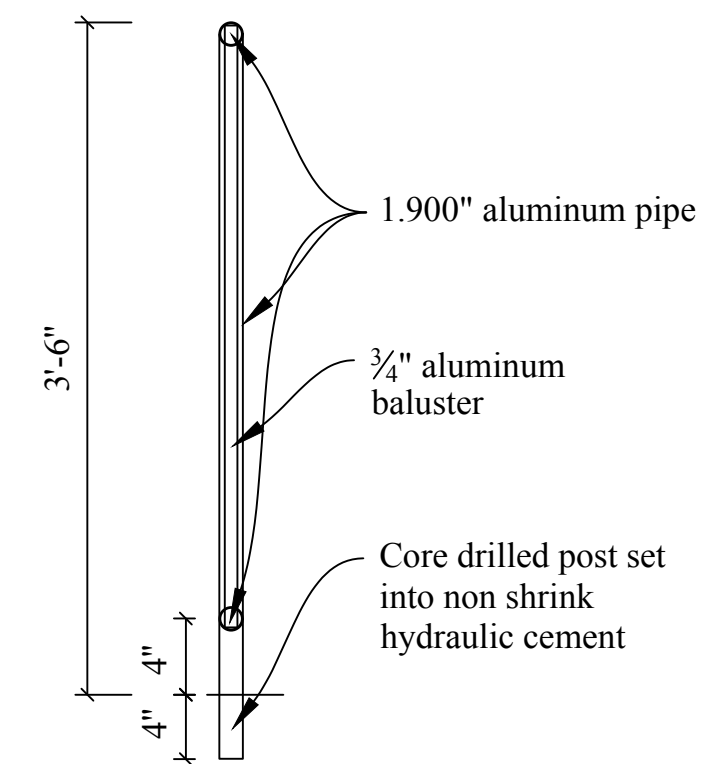


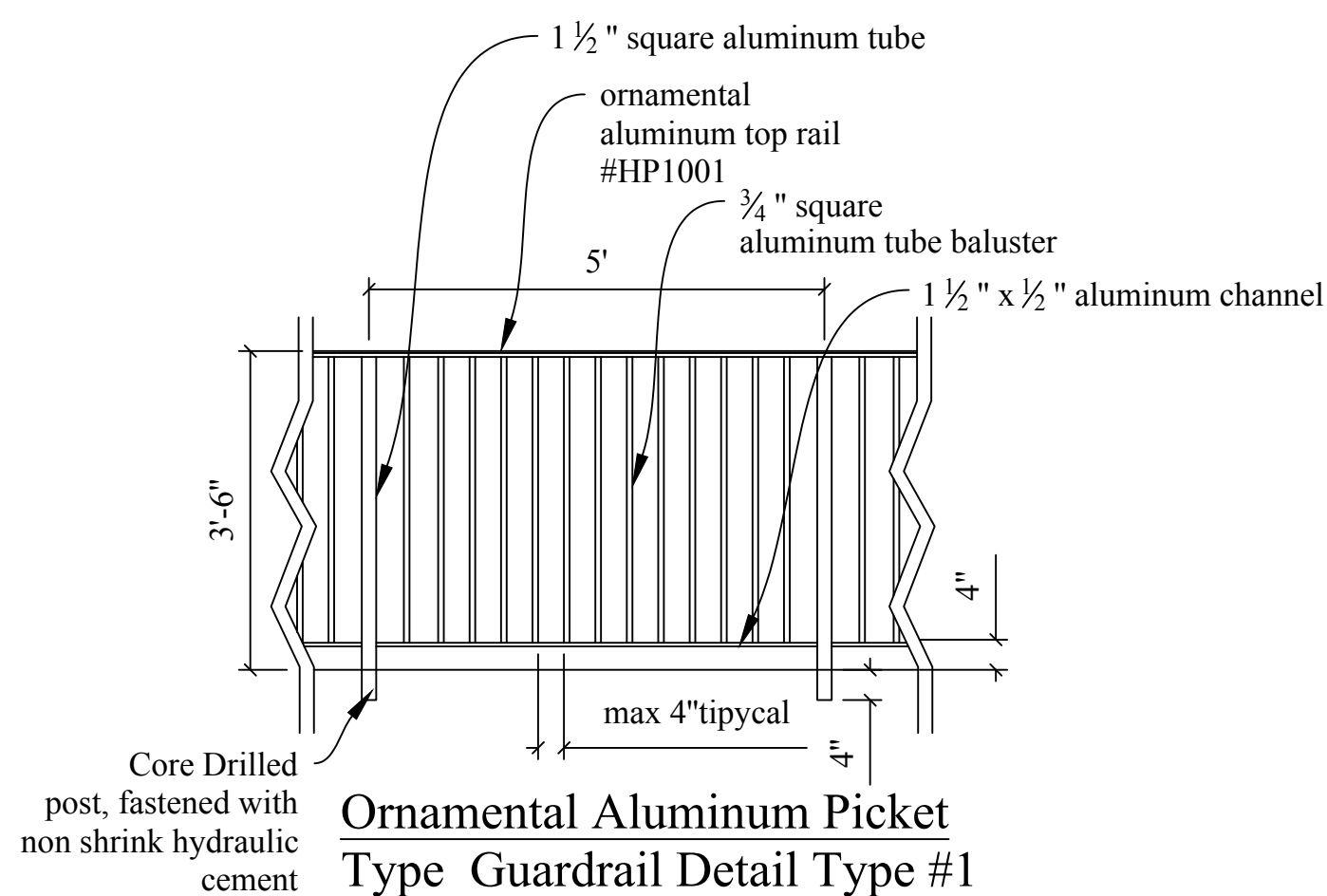
Typical Aluminum Picket Type Guardrail Detail

Scale: 1/2" = 1'-0"



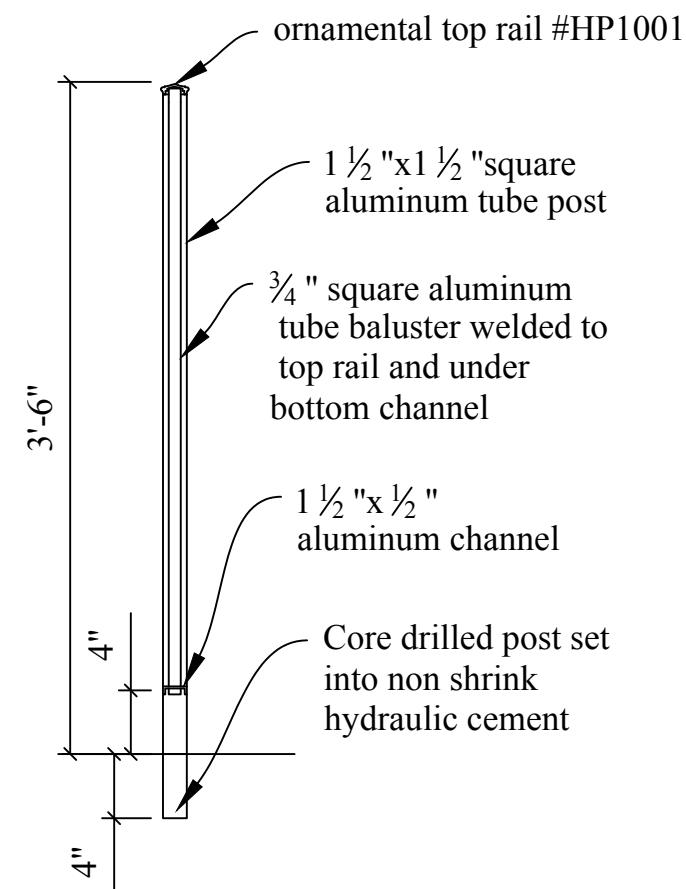
Guardrail Cross Section

Scale: 1" = 1'-0"



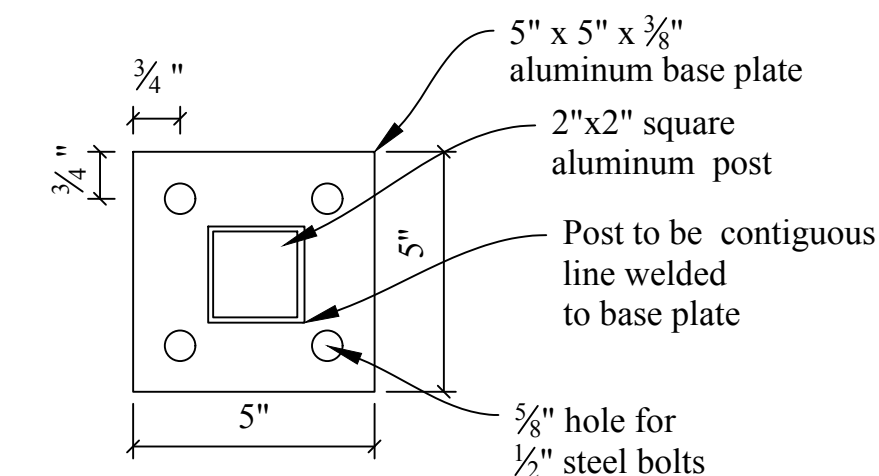
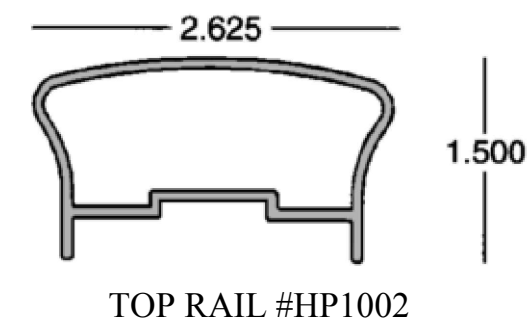
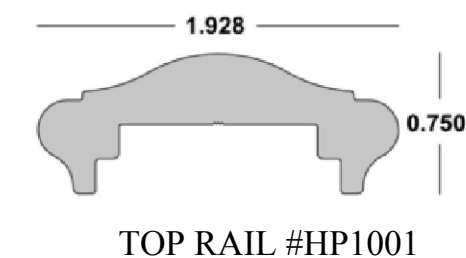
Ornamental Aluminum Picket Type Guardrail Detail Type #1

Scale: 1/2" = 1'-0"



Cross Section A-A

Scale: 1" = 1'-0"



Guardrail Base Plate Detail

Scale: 3" = 1'-0"

Drawing Title :

RAILING LAYOUT PLAN

Project :

JS WELDING FENCE

Drawing: 1000

Scale : As Shown
Date : 08 / 17 / 2015

SK-1